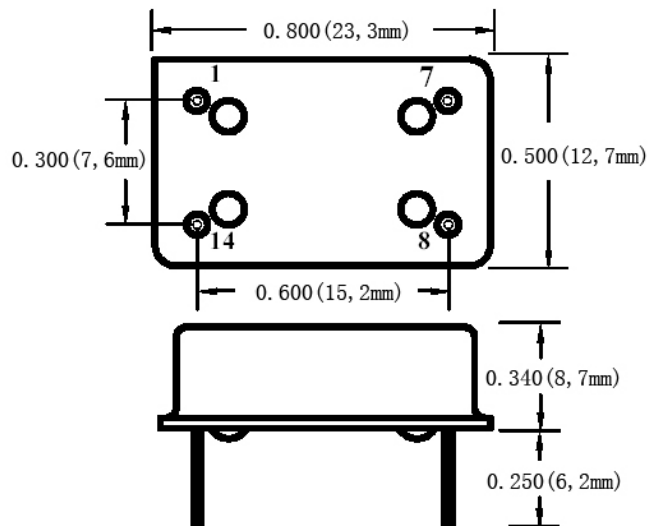


Product Data Sheet

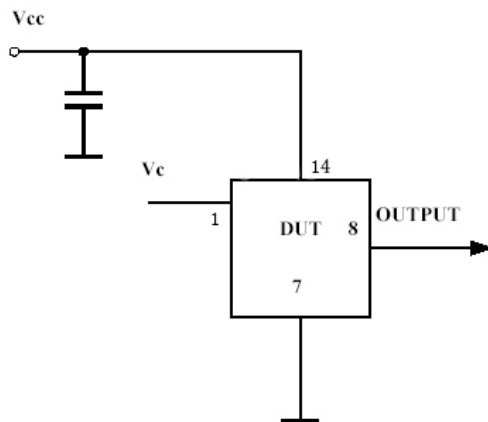
Features

- Low Cost DIL 14 package
- High Vacuum Sealed Crystal
- Low Power Consumption (<500mW)
- Fast Warm-up Time (1 minute)
- Stratum3 or better Stability
- Low Aging < 3 ppm over life
- Very Low Phase Noise (-160dBc/Hz TYP)
- HCMOS/TTL output
- 8 MHz to 160 MHz Frequencies Available
- Voltage Control Optional



Applications

- Telecommunications
- Data Communications
- Instrumentation



MMDC-Tech Science Inc.

6050 W Eastwood Ave, Chicago IL60630, USA

TEL: (310) 561-1088 FAX: (310) 862-5399

